

Lubricator L18 EconOmist™

= "Most Popular"

Specifications

Flow Capacity*	1/4	88 SCFM (41.5 dm ³ /s)
	3/8	90 SCFM (42.4 dm ³ /s)
	1/2	96 SCFM (45.3 dm ³ /s)
Initial Drip Flow	0.68 SCFM	
Maximum Supply Pressure	Plastic Bowl	150 PSIG (10.3 bar)
	Metal Bowl	250 PSIG (17.2 bar)
Minimum Flow for Lubrication	.7 SCFM @ 100 PSIG	
Operating Temperature	Plastic Bowl	14° to 125°F (-10° to 52°C)
	Metal Bowl	14° to 150°F (-10° to 65.5°C)
Port Size	NPT / BSPP-G	1/4, 3/8, 1/2
Bowl Capacity	4 oz	
Weight	1.2 lb. (0.55 kg)	

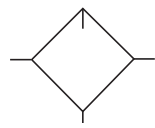
* Inlet pressure 150 PSIG (10.3 bar). Pressure drop 5 PSID (0.3 bar).

Materials of Construction

Body	Zinc	
Body Cap	ABS	
Bowls	Plastic Bowl	Polycarbonate
	Metal Bowl	Aluminum
Pick-up Filter	Sintered Bronze	
Seals	Plastic Bowl	Nitrile
	Metal Bowl	Nitrile
Sight Dome	Polycarbonate	
Sight Gauge	Metal Bowl	Polyamide (Nylon)
Suggested Lubricant	Airline Oil F442001	

B

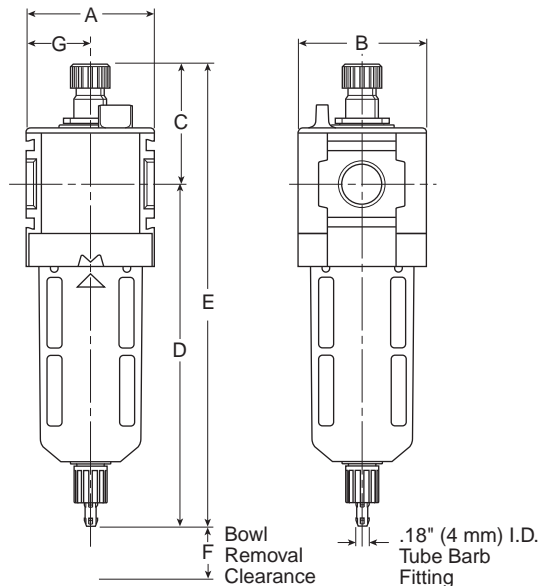
Filters, Regulators, Lubricators



L18-02-KK00

Features

- Integral Sight Dome and Adjustment Knob
- 1/2" NPT / BSPP-G Over-port
- Can be Filled while Under Pressure
- Quick-disconnect Bowl / Bowl Guard
- Manual Drain
- High Flow Capacities



Dimensions

Models	Inches (mm)	A	B	C	D	E	F	G
Standard Unit with Manual Drain L18-XX-KK00		2.36 (60)	2.36 (60)	2.31 (59)	6.35 (161)	8.66 (220)	1.60 (41)	1.18 (30)
Metal Bowl with Sight Gauge / Manual Drain		2.36 (60)	2.70 (69)	2.31 (59)	6.35 (161)	8.66 (220)	1.60 (41)	1.18 (30)

= "Most Popular"

Replacement Bowl Kits

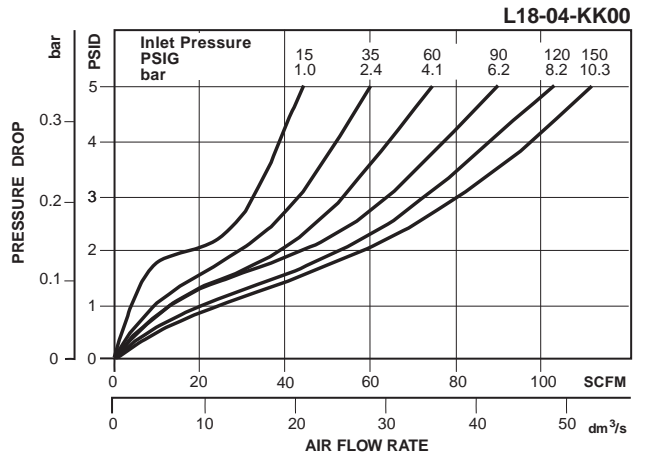
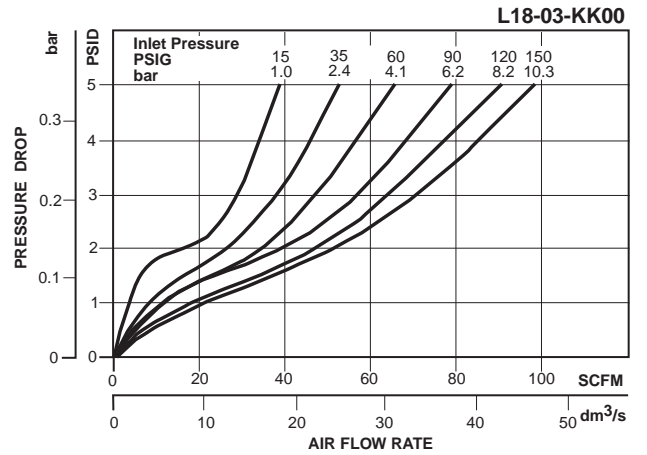
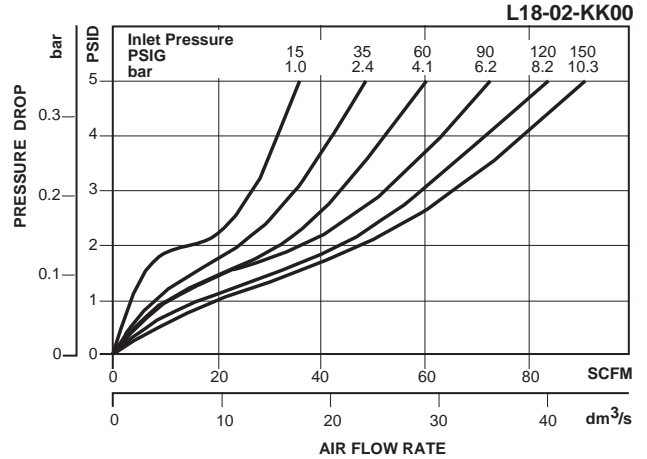
- Metal Bowl with Sight Gauge, Manual Drain..... GRP-96-636
- Plastic Bowl / Bowl Guard, Manual Drain..... LRP-96-701

Replacement Kits

- Bowl O-ring –
 - Fluorocarbon GRP-96-754
 - Nitrile..... GRP-96-640
- Bypass Assembly..... LRP-96-678
- Fill Plug Kit LRP-96-679
- Sight Dome Assembly –
 - New Style Polycarbonate, L18-XX-**KK00** LRP-96-310
 - New Style Nylon..... LRP-96-312
- Siphon Tube Assembly LRP-96-677

Accessories

- Force Fill Adapter..... LRP-96-704
- Manual Drain..... GRP-96-685
- Sight Gauge Kit..... GRP-96-825
- Wall Mounting Bracket –
 - L-Type GPA-96-604
 - T-Type GPA-96-602



Ordering Information

Model Type	Port Size	Plastic Bowl / Bowl Guard	Metal Bowl / Sight Gauge
Manual Drain	1/4	L18-02-KK00	L18-02-KL00
	3/8	L18-03-KK00	L18-03-KL00
	1/2	L18-04-KK00	L18-04-KL00

Options - To order an option supplied with the unit model, add the appropriate coded suffix letter in the designated position of the model number.